

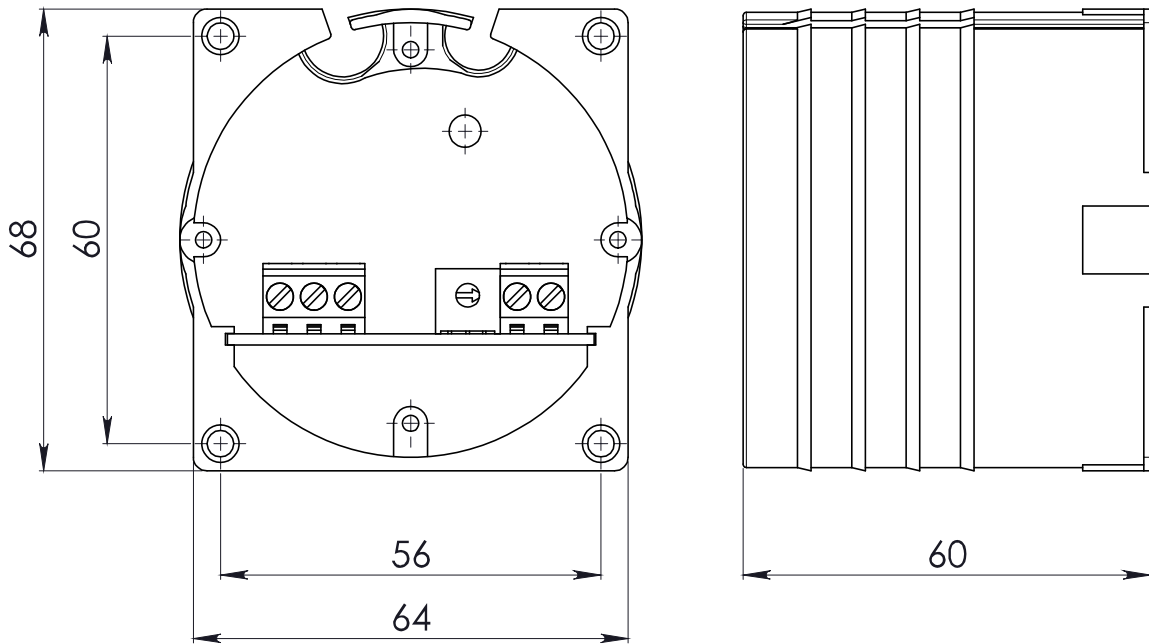
### ■ **Main Features**

- Compact solution for in-wall mounting for building automation
- Standard diameter Ø68mm
- Very high overload capability (400%)

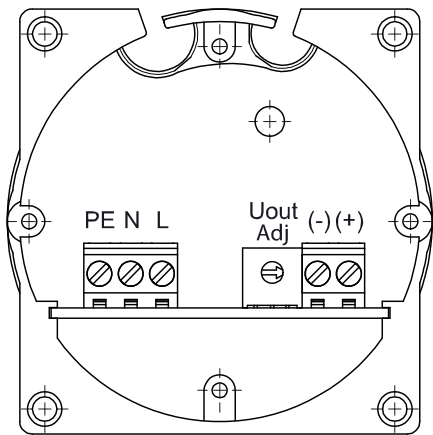
## TECHNICAL DATA

Model type	WM100-24	
<b>OUTPUT DATA</b>		
Rated voltage	24Vdc	
Adj. output voltage range	23.5...27.5Vdc	
Continuous current	1.0A	
Overload limit	4.0A (max. 30S)	
Short circuit peak current	18A	
Load regulation	≤ 0.5%	
Ripple & Noise <sup>1</sup>	≤ 50mVpp	
Hold up time	≥ 40ms	
Protections	<ul style="list-style-type: none"> <li>▪ Overload/short circuit: Hiccup mode</li> <li>▪ Thermal protection</li> <li>▪ Output overvoltage</li> </ul>	
Output overvoltage protection	≥ 33Vdc	
<b>INPUT DATA</b>		
Input AC rated voltage	Nominal: 240Vac	
Frequency	Range: 187...264Vac	
	47...63Hz	
Input DC rated voltage	270...345Vdc	
Input AC rated current	0.3A	
Input DC rated current	< 0.15A	
Inrush peak current	≤ 35A	
Internal protection fuse	Fuse 2AT (not user replaceable)	
Recommended external protection	MCB 4A C curve It is strongly recommended to provide external surge arresters (SPD) according to local regulations.	
<b>GENERAL DATA</b>		
Efficiency	> 84%	
Dissipated power	< 5W	
Operating temperature <sup>2</sup>	- 20°C...+ 45°C	
Derating	No derating	
Storage temperature	- 40°C...+ 80°C	
Humidity	5...95% r.H. non condensing	
Overvoltage category	▪ EN50178	III
Pollution degree	▪ IEC60664-1	2
Protection Class	▪ Class	I
Input / output isolation	4.2kVdc	
Input / ground isolation	2.2kVdc	
Output / ground isolation	0.75kVdc	
Safety Standards	▪ EN60950 (reference)	
	▪ EN50178 (reference)	
EMC Emission	▪ EN55011 (CISPR11)	Class B
	▪ EN55022 (CISPR22)	Class B
EMC Immunity	▪ EN61000-4-2	Level 3
	▪ EN61000-4-3	Level 2
	▪ EN61000-4-4	Level 2
	▪ EN61000-4-5	Level 2
	▪ EN61000-4-11	Level 2
Protection degree	▪ EN60529	IP20 (when mounted in-wall)
Vibration sinusoidal	▪ IEC 60068-2-6	(5-17.8Hz: ±1.6mm; 17.8-500Hz: 2g 2hours / axis (X,Y,Z)
Shock	▪ IEC 60068-2-27	(30g 6ms, 20g 11ms; 3 bumps / direction, 18 bumps total)
Connection terminals	1.5mm <sup>2</sup> , screw type header (24...16AWG)	
Case material	Die cast aluminum	
Weight	0.225kg	
Size (W x H x D)	68.0 x 68.0 x 60.0mm	
<p>1) Ripple and Noise are measured with 20MHz bandwidth, probe terminated with a 0.1µF MKP parallel capacitor.</p> <p>2) Start-up type tested: - 20°C, possible at nominal voltage with load deration.</p> <p><b>Notes:</b></p> <ul style="list-style-type: none"> <li>- Technical parameters are typical, measured in laboratory environment at 25°C and 240Vac / 50Hz, at nominal values, after minimum 5 minutes of operation.</li> <li>- Power rating, losses, efficiency, ripple, thermal behaviour and start-up may change outside of the nominal rated input range. Contact factory for details.</li> <li>- Data may change without prior notice in order to improve the product.</li> </ul>		

**DIMENSIONS**



**CONNECTION**



**Input Connection:**

Single phase:

- L = Line
- N = Neutral
- PE = Earth ground

DC:

- L = + Positive DC
- N = - Negative DC
- PE = Earth ground

**Output Connection:**

- += Positive DC
- -= Negative DC